



## FEATURES

Solid brass construction  
 Crystal clear water flow (laminar aerator)  
 Adjustable temperature limit stop  
 Anti-scaling pivoting aerator (10°)  
 Press pop-up drain with overflow included #ABDR00899  
 3/8" connection

Ceramic cartridge #ABCA56040

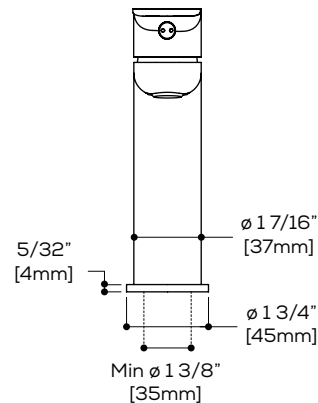
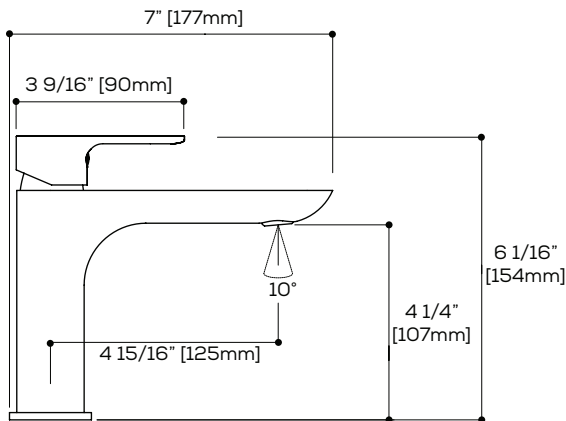
Flow rate: 1.2 gpm - 4.5L/min (60psi)  
 Mounting hole: 1 3/8"  
 Counter depth: min 1-3/8" max 2-3/8"

## FINISHES

Polished chrome (PC)    Brushed Nickel PVD (BNVD)  
 Electro Black (EBK)

## CERTIFICATIONS & COMPLIANCE

ASME A112.18.1    NSF/ANSI 61 and 372  
 CSA B125.1    EPA WaterSense®  
 ADA



Quick access to warranty  
and support:

