



FEATURES

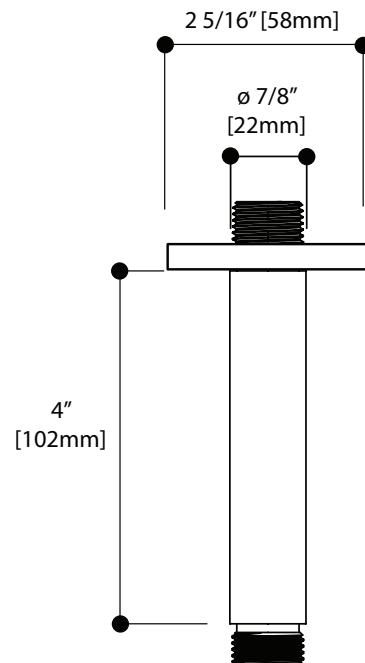
Solid brass construction
1/2" NPT male connection

FINISHES

| | |
|----------------------|---------------------------|
| Polished chrome (PC) | Brushed Nickel PVD (BNVD) |
| Electro Black (EBK) | Sunset PVD (SUVD) |
| White (WH) | |

CERTIFICATIONS & COMPLIANCE

| | |
|----------------|------------|
| ASME A112.18.1 | CSA B125.1 |
|----------------|------------|



Quick access to warranty
and support:

