

XPress thermostatic valve trim kit with diverter for #90801



FEATURES

Round solid metal trim set
 Single lever temperature control
 Fluehs German-made diverter cartridge included
 1 pair of round handles + 3 pairs of color lever included
 XPress thermostatic valve not included (#90801)

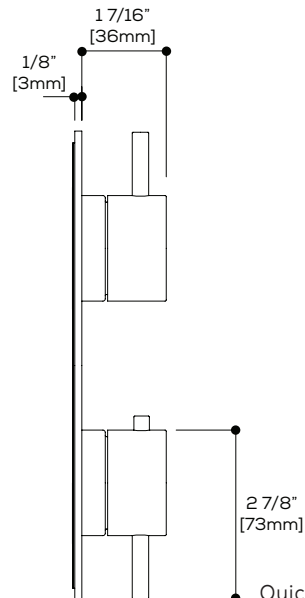
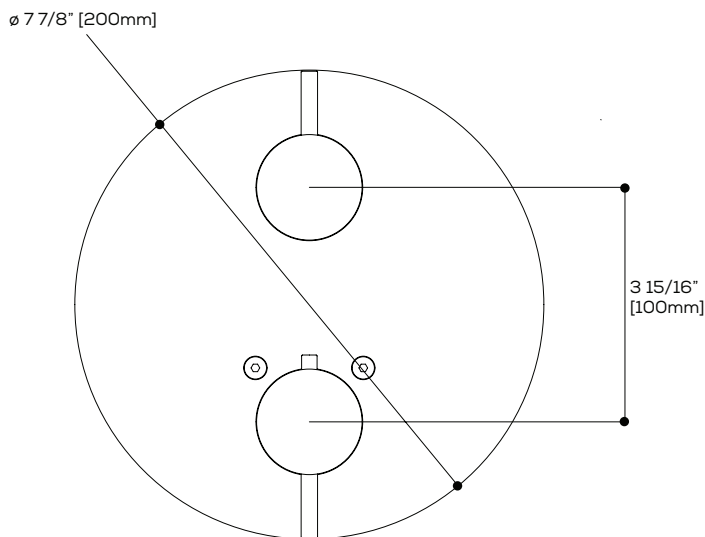
Ceramic cartridges: #ABCA-TH-200 (2-way shared)
 #ABCA-TH-300 (3-way shared)
 #ABCA-TH-2LD (2-way non-shared)
 #ABCA-TH-3LD (3-way non-shared)

FINISHES

Polished chrome (PC) Brushed Nickel PVD (BNVD)
 Electro Black (EBK) Sunset PVD (SUVD)
 White (WH)

CERTIFICATIONS & COMPLIANCE

ASME A112.18.1 CSA B125.1



Quick access to warranty and support:

