

FEATURES

Round rail with adjustable metal sliding hook
Metal bar (stainless steel)

Double interlock 5' spiral hose

3 functions: rain / rain-mist / jet

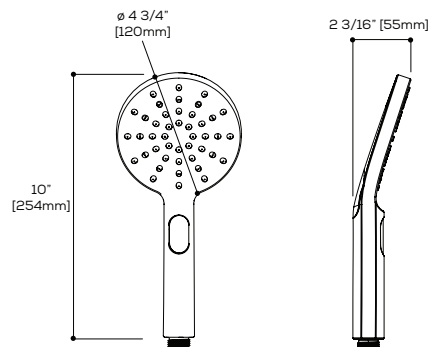
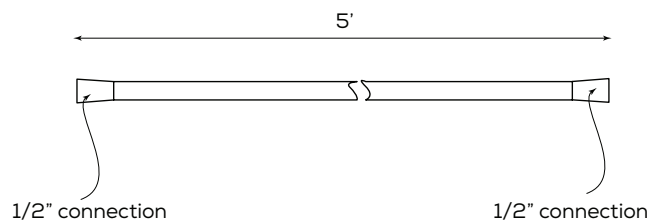
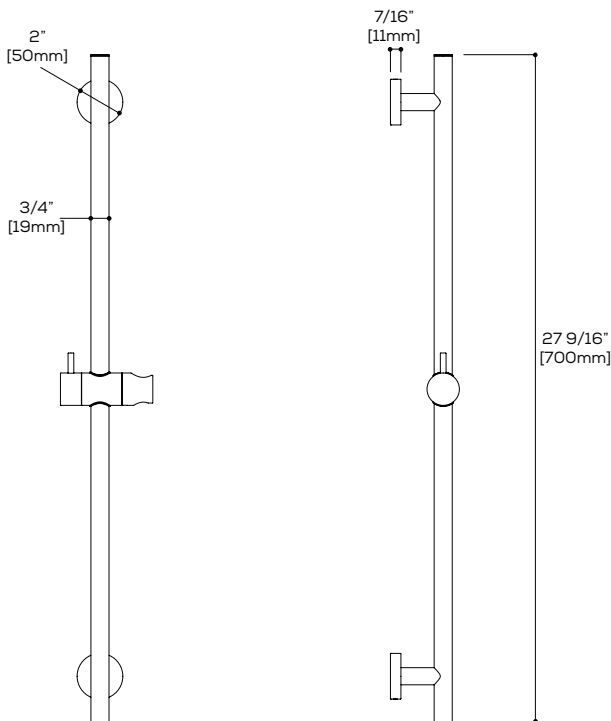
Flow rate: 1.8 gpm

FINISHES

Polished chrome (PC)	Brushed Nickel PVD (BNVD)
Electro Black (EBK)	Sunset PVD (SUVD)
White (WH)	

CERTIFICATIONS & COMPLIANCE

ASME A112.18.1	EPA WaterSense®
----------------	-----------------



Quick access to warranty and support:

