



## FEATURES

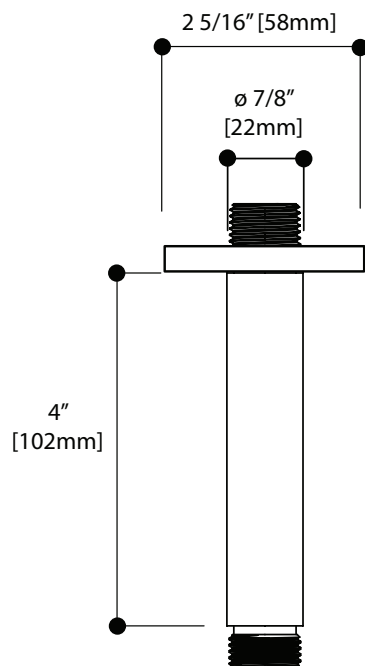
Solid brass construction  
1/2" NPT male connection

## FINISHES

Polished chrome (PC)      Brushed Nickel PVD (BNVD)  
Electro Black (EBK)      Sunset PVD (SUVD)  
White (WH)

## CERTIFICATIONS & COMPLIANCE

ASME A112.18.1      CSA B125.1



Quick access to warranty  
and support:

