



FEATURES

Solid brass construction
 Crystal clear water flow (laminar aerator)
 Adjustable temperature limit stop
 Press pop-up drain with overflow included #ABDR00899
 3/8" connection

Ceramic cartridge #ALT75554500

Flow rate: 1.2 gpm - 4.5L/min (60psi)

Mounting hole: 1 3/8"

Counter depth: min 1-3/8" max 2-3/8"

FINISHES

Polished chrome (PC)	Brushed Nickel PVD (BNVD)
Electro Black (EBK)	Sunset PVD (SUVD)
White (WH)	

CERTIFICATIONS & COMPLIANCE

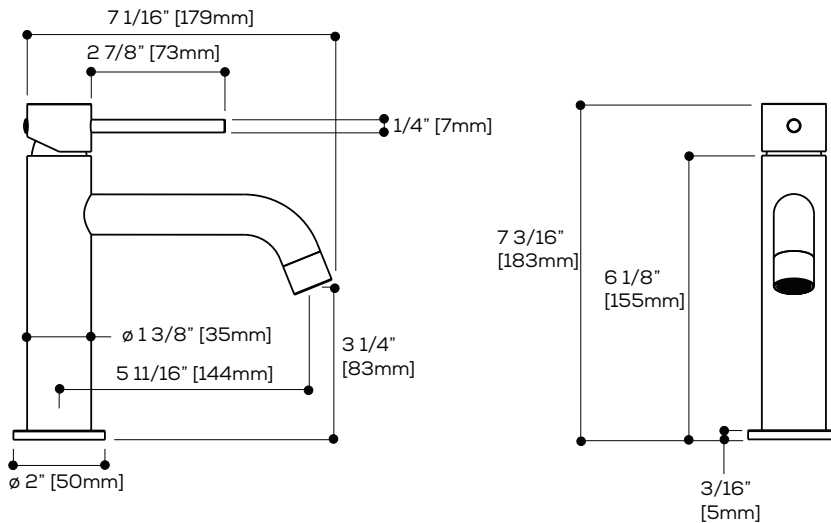
ASME A112.18.1

CSA B125.1

ADA

NSF/ANSI 61 and 372

EPA WaterSense®



Quick access to warranty and support:

