



## FEATURES

- Solid brass construction
- Crystal clear water flow (laminar aerator)
- Single volume and temperature lever control
- Adjustable temperature limit stop
- Drain not included
- Rough-in not included (#R2904)
- 1/2" connection

Ceramic cartridge #ALT75554500

Flow rate: 1.2 gpm - 4.5L/min (60psi)

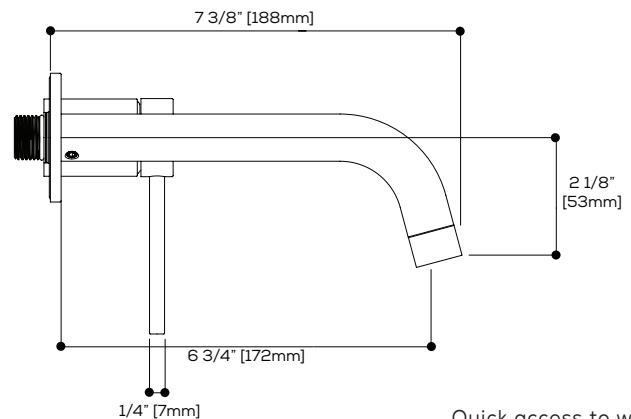
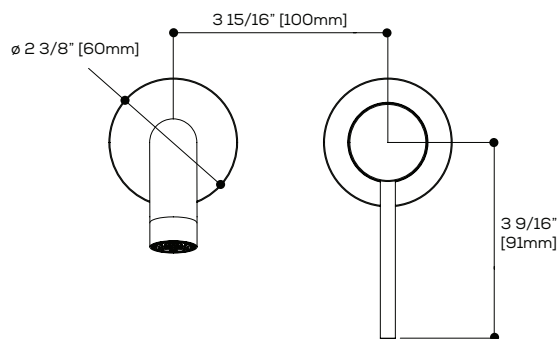
Mounting hole: 1 3/8"

## FINISHES

- Polished chrome (PC)
- Brushed Nickel PVD (BNVD)
- Electro Black (EBK)
- Sunset PVD (SUVD)
- White (WH)

## CERTIFICATIONS & COMPLIANCE

- ASME A112.18.1
- NSF/ANSI 61 and 372
- CSA B125.1
- EPA WaterSense®
- ADA



Quick access to warranty and support:

