



## FEATURES

Lead-free brass construction  
 2 stream modes: aerated + spray  
 Single volume and temperature lever control  
 145° spout rotation  
 3/8" connection

Ceramic cartridge #ALT75555600

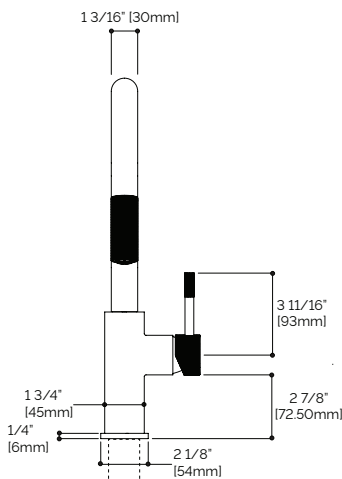
Flow rate: 1.8 gpm - 6.8L/min  
 Mounting hole: 1-1/2"  
 Counter depth: min 1-3/8" max 2-3/8"

## FINISHES

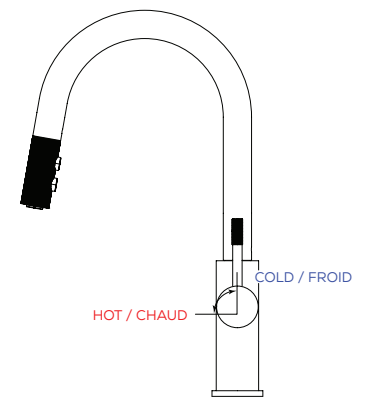
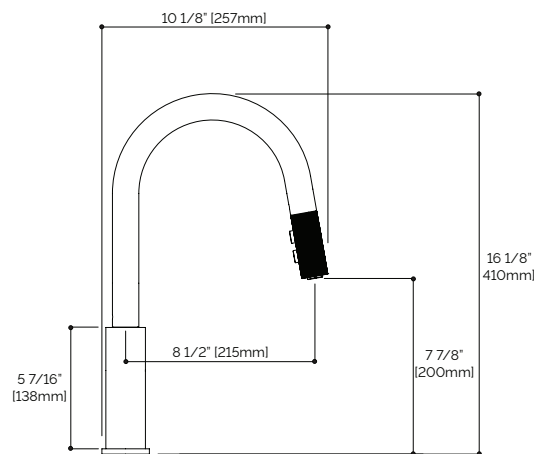
Polished chrome (PC)      Brushed Nickel PVD (BNVD)  
 Electro Black (EBK)      Sunset PVD (SUVD)  
 White (WH)

## CERTIFICATIONS & COMPLIANCE

ASME A112.18.1      NSF/ANSI 61 and 372  
 CSA B125.1      EPA WaterSense®  
 ADA



Requires a hole of 1-1/2"  
 Nécessite un trou de 1-1/2"



Quick access to warranty  
 and support:

